



# PRODUCTIVITY DELIVERED TODAY

QUICK. PRECISE. POWERFUL.

CONSTRUCTION MACHINERY



**COMPACT EXCAVATORS**

**SY155U**

Engine  
ISUZU 4JJ1X  
Rated Power  
78.5 kW / 1900 rpm  
Bucket capacity  
0.6 m<sup>3</sup>  
Operating mass  
16 000 kg

# SANY

## For challenging tasks, you need a first-class partner

Quality comes from experience. And from new ideas. This is why we combine these two crucial factors at SANY. This is because we are one of the world's leading producers, having sold more than **320 000** excavators in **10 years**. This means that you can always rely on sophisticated products that have been tried and tested in practice. An impressive **5–7%** of our annual turnover is dedicated to research and development.

**320 000**  
EXCAVATORS SOLD IN  
**10 YEARS**

**5–7%**  
TURNOVER FOR RESEARCH  
AND DEVELOPMENT

Quality Changes the World



**SY155U**

### SY155U HARD FACTS

Max. bucket digging force  
103 kN (ISO)

Max. arm digging force  
67 kN (ISO)

Swingspeed  
12.5 rpm

Max. travel speed  
5.3 km/h



## PROFITABILITY FOR THE NEXT GENERATION

How can we pack maximum working power into the smallest possible space? It's quite simple: With our sophisticated SANY compact excavator concept, and the SY155U short-tail-swing excavator is the jewel in the crown. Its compact dimensions and resulting short slewing radius allow it to work even in extremely tight spaces with no reduction in performance. It doesn't shy

away from difficult tasks. It performs them with the help of its powerful drive and fully developed hydraulic system. The substantial machine weight and wide, stable undercarriage ensure secure stability. It boasts the best features for a variety of tasks and achieves exemplary productivity.



## TOP PROPERTIES

ECONOMY

# LESS IS MORE

Outstanding performance with low energy consumption – the efficient high-performance unit makes it possible. The smart auto-throttle function combines the best fuel efficiency with high power output. For the machine, this means not only lower fuel consumption, fewer exhaust emissions and reduced wear, but also enhanced driver comfort thanks to reduced engine noise and load relief due to automatic idling mode.

### QUALITY

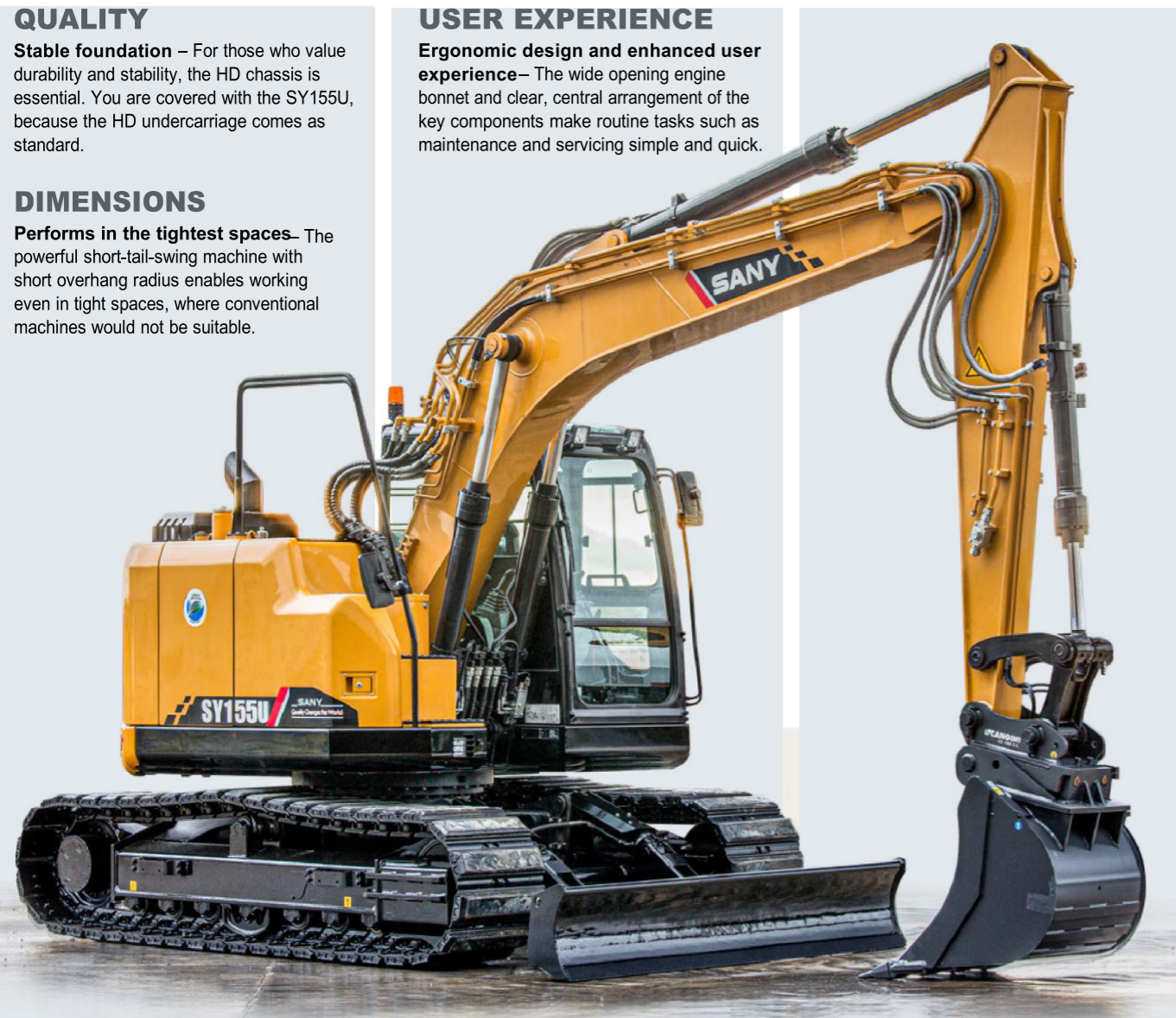
**Stable foundation** – For those who value durability and stability, the HD chassis is essential. You are covered with the SY155U, because the HD undercarriage comes as standard.

### DIMENSIONS

**Performs in the tightest spaces**– The powerful short-tail-swing machine with short overhang radius enables working even in tight spaces, where conventional machines would not be suitable.

### USER EXPERIENCE

**Ergonomic design and enhanced user experience**– The wide opening engine bonnet and clear, central arrangement of the key components make routine tasks such as maintenance and servicing simple and quick.



### SAFETY

**Protection for both people and the machine**- From its stable, non-slip hand rails to its large mirrors and its camera, the safety package ensures that your construction site runs safely every day.

### COMPONENTS

**Thoroughly reliable**– The quality and consequently the stability of the boom is a particular priority for SANY. The topside and underside of the SY155U are also manufactured from one continuous metal sheet.

### ECONOMY

**Efficiency and power**- The smart control system adapts the pump capacity to the available engine power for greater performance and reduced fuel consumption. This boosts profitability on every construction site.

### ECONOMY

## Performance plus flexibility: The efficiency formula for intelligent

Those who now wish to work cost-efficiently on construction sites should avoid achieving performance at the expense of high energy consumption. Therefore, SANY has developed its compact excavator with efficiency as the highest priority. With the SY155U, you will benefit from an exemplary price-performance ratio, an efficient use of fuel and minimal maintenance costs with long maintenance intervals.

### COMPONENTS

## Reliable drive

The tried-and-tested ISUZU- engine guarantees reliable performance in the long term, even in harsh working conditions.



# PRECISION GUARANTEE ROBUSTNESS

Durability and robustness are standard features on all SANY excavators. The welded seams, for instance, are done by robots with a high degree of precision. This guarantees maximum load-bearing capacity and a long service life. Yet another advantage: All access panels parts are made exclusively from metal – perfect for the harsh everyday conditions on the construction site.

USER EXPERIENCE

# THE DRIVER'S CAB – WELCOME TO THE COMFORT ZONE

Safe, easy entry, plenty of room and full visibility outside – the driver's cab leaves nothing to be desired. The driver can also enjoy a comfortable, fully adjustable air-suspension seat, ergonomic controls and a modern audio system.

The automatic climate control and powerful ventilation and heating ensure that the temperature and fresh air levels in the cab are always perfect.



## Our highlights – the added benefits SANY offers you:

- + Reinforced chassis
- + Comfortable air-suspension seat
- + Compact short-tail-swing machine
- + Clear instruments
- + Large, high-resolution display
- + High safety standards, e.g. camera
- + ROPS/FOPS-certified for safety in operation



USER EXPERIENCE

## Trust your instincts

The intuitive operation of all excavator functions via the joystick control makes optimum performance achievable with precision. The ergonomic shape of the joystick ensures that it sits comfortably in your hand and allows precise handling. The two auxiliary control circuits already come as part of the standard equipment and allow operation of various attachment devices such as tilt buckets or grapples. Both of these proportional control functions are operated smoothly via the sliders in the joysticks.



USER EXPERIENCE

## Intelligent solutions for quick maintenance

The SY155U's maintenance-friendly concept is based on simplicity. The engine bonnet is easy to open, which makes all components needed for regular checks and maintenance easily accessible. The filter, radiator and battery are arranged centrally and can therefore be accessed easily and quickly. Particularly long oil change intervals also help keep downtimes to a minimum.

USER EXPERIENCE

## Always optimally configured

A monitor with a high-resolution display shows all important data at a glance. The menu navigation is extremely user-friendly and enables the driver to manage machine functions safely and comfortably. The camera image can also be shown on the display if required.

The next inspection due and basic data such as torque and oil and cooling water temperatures are also displayed. Various attachment devices can also be easily changed at the touch of a button within the programme.

By pressing a button you can easily choose the operating mode that best suits the task at hand. The smart SANY drive control takes care of the rest. It always adjusts the engine and hydraulic power precisely to your requirements.



## ENGINE

Model	ISUZU 4JJ1X
Typ	Water-cooled, 4 cylinder, with commonrail and Adblue
Exhaust emissions	Stage V
Rated power	78.5 kW / 1 900 rpm
Max. torque	375 Nm / 1 800 rpm
Displacement	2 999 ccm
Batteries	2 x 12V / 120 Ah

## SERVICE REFILL CAPACITIES

Fuel tank	210 l
Engine coolant	23.6 l
Engine oil	15 l
Drive (per side)	1.8 l
Adblue	20 l
Hydraulic oil tank	110 l

## PERFORMANCE

Swingspeed	12.5 rpm
Max. travel speed	High 5.3 km/h, slow 3.1 km/h
Max. travel force	114 kN
Gradeability	35°
Bucket capacity	0.6 m³
Groundpressure	0.41 kg/cm²
Bucket digging force ISO	103 kN
Arm digging force ISO	67 kN

## OPERATING MASS

SY155U	16 000 kg
SY155U weight w/o blade	15 350 kg

## RELIEF VALVE SETTINGS

Implement circuit	343 bar
Swing circuit	250 bar
Travel circuit	343 bar
Pilot pressure	39 bar

## HYDRAULIC SYSTEM

Mainpump	2 x variable-piston-pump with electronic positive control
Max. oilflow	2 x 110 l/min
Max. oilflow (AUX 1)	110 l/min
Max. oilflow (AUX 2)	70 l/min
Travelmotor	Variable displacement axial piston motor
Swingmotor	Axial piston motor

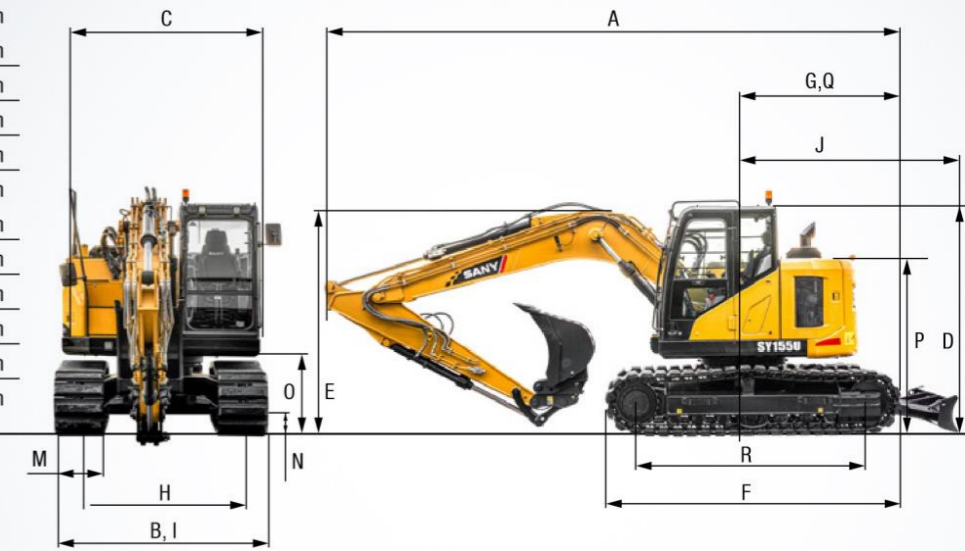
## UNDER AND UPPER STRUCTURE

Boom length	4 600 mm
Arm length	2 500 mm
Bottomrollers	7
Toprollers	1
Rotation device	Planetary gear reducer driven by an axial piston motor, automatic hydraulic released slewing brake

## DIMENSIONS (TRANSPORT)

A Transport length	7 300 mm
B Transport width*	2 590 mm
Transport width**	2 690 mm
C Upperstructure carriage	2 490 mm
D Height over cabin/ROPS	2 820 mm
E Height of Boom – transport	2 755 mm
F Overall length of crawler	3 665 mm
G Tail length	1 500 mm
H Track gauge	1 990 mm
I Undercarriage width (blade)*	2 590 mm
Undercarriage width (blade)**	2 690 mm
J Horizontal distance to blade	2 650 mm
K Blade height	480 mm
L Track height	815 mm
M Track pads width*	600 mm
Track pads width**	700 mm
N Min. ground clearance	425 mm
O Counterweigh clearance	910 mm
P Engine cover height	1 418 mm
Q Tail swing radius	1 500 mm
R Center distance of tumbler	2 930 mm

\* at 600 mm track pads width  
\*\* at 700 mm track pads width

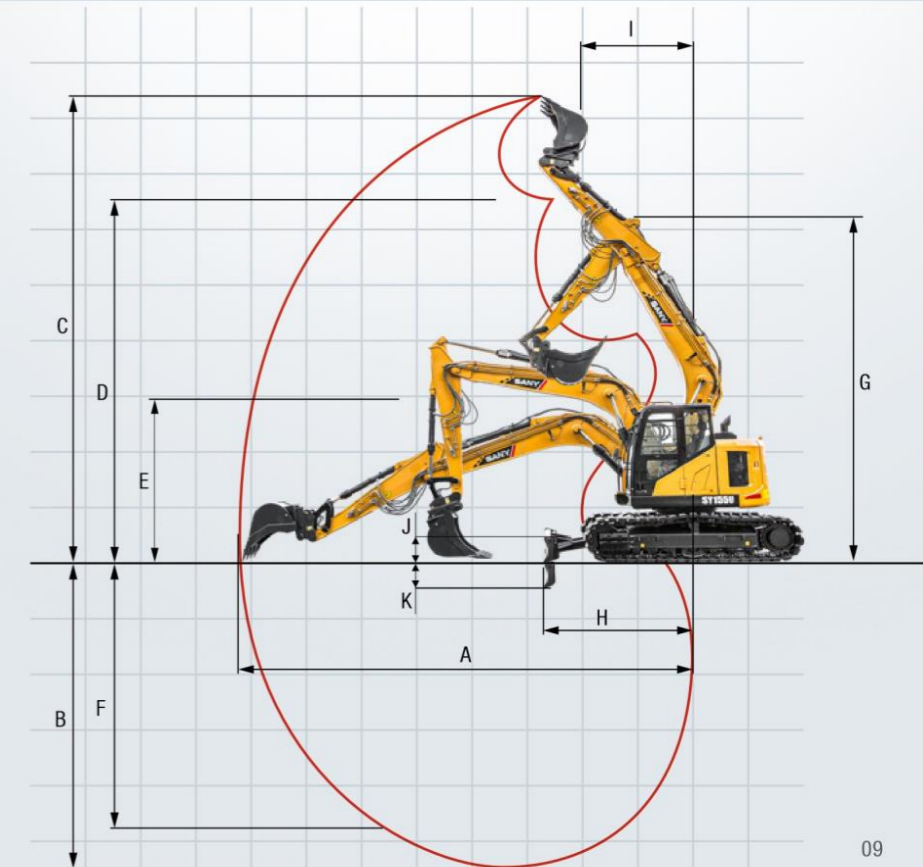


## LIFTING CAPACITIES OF LOWER AND UPPER DOZER BLADE

Load point height	Radius							Digging reach	
	2,0 m	3,0 m	4,0 m	5,0 m	6,0 m	7,0 m	Max.	Meter	
<b>below</b>									
7,0 m kg			3 353	3 353			2 536	2 536	4,3
6,0 m kg			3 632	3 632	3 310	2 687	2 216	2 216	5,4
5,0 m kg			3 594	3 594	3 944	2 685	2 590	2 061	6,1
4,0 m kg		4 736	4 736	4 643	3 487	4 146	2 628	3 822	2 048
3,0 m kg		6 858	4 607	5 314	3 325	4 484	2 537	3 967	2 001
2,0 m kg		8 370	4 238	6 031	3 140	4 855	2 432	4 144	1 941
1,0 m kg		6 651	3 979	6 547	2 980	5 144	2 334	4 278	1 881
Ground line kg		6 813	3 868	6 703	2 876	5 253	2 260	4 293	1 834
-1,0 m kg	4 686	4 686	8 485	3 839	6 484	2 826	5 115	2 218	4 163
-2,0 m kg	7 212	5 997	7 511	3 854	5 892	2 819	4 659	2 209	3 559
-3,0 m kg	7 480	6 088	6 070	3 909	4 842	2 853	3 697	2 242	
-4,0 m kg			3 876	3 876	2 956	2 948			
<b>above</b>									
7,0 m kg			3 353	3 353			2 536	2 536	4,3
6,0 m kg			4 053	3 632	3 310	2 687	2 216	2 216	5,4
5,0 m kg			4 203	3 594	3 592	2 685	2 590	2 061	6,1
4,0 m kg		4 736	4 736	4 621	3 487	3 535	2 628	2 803	2 048
3,0 m kg		6 118	4 607	4 459	3 325	3 444	2 537	2 756	2 001
2,0 m kg		5 749	4 238	4 273	3 140	3 339	2 432	2 696	1 941
1,0 m kg		5 490	3 979	4 114	2 980	3 241	2 334	2 637	1 881
Ground line kg		5 379	3 868	4 009	2 876	3 167	2 260	2 590	1 834
-1,0 m kg	4 686	4 686	5 350	3 839	3 959	2 826	3 125	2 218	2 609
-2,0 m kg	7 212	5 997	5 366	3 854	3 953	2 819	3 116	2 209	2 569
-3,0 m kg	7 480	6 088	5 421	3 909	3 987	2 853	3 149	2 242	
-4,0 m kg			3 876	3 876	2 956	2 948			

## WORKING AREA

A Max. digging reach	8 338 mm
B Max. digging depth	5 468 mm
C Max. digging height	9 218 mm
D Max. dumping height	6 756 mm
E Min. dumping height	2 920 mm
F Max. vertical digging depth	3 796 mm
G Overall height over arm by min. swing radius	6 749 mm
H Arm head distance with work equipment retracted as far as possible	2 650 mm
I Min. swing radius	2 086 mm
J Max. clearance when blade up	504 mm
K Max. depth of blade down	350 mm



## Ready for any challenge

Its extensive standard equipment makes the SY155U a perfect partner to tackle everyday challenges on the construction site. Optional extra equipment and attachment devices are also available to increase its flexibility even more.



### OPERATORS COMFORT / CABINE

Airsuspension seat	●
Heated seat	●
Heater	●
Automatic air conditioning C/H	●
Radio and speaker	●
Armrests (adjustable)	●
12v outlets	●
Wiper	●
Sprayer f. wiper	●
Sky light openable	●
Integrated cooling box	●
AUX 1 on Joystick	●
AUX 2 on Joystick	●
Removable front-window	●
Rubberfloor	●

### WORKING LIGHTS

Lights – front (LED)	●
Lights – boom (LED)	●
Lights – platform (LED)	●

### ENGINE

Auto idle	●
DPF	●
Diesel filter	●
Airfilter	●

Standard equipment ● Special option ●

The standard and special options differ depending on the country in which the compact excavator is delivered. If you have any questions, please contact your dealer directly.

### WORKING EQUIPMENT

Boom and arm load holding valves with overload indicator	●
Double acting circuit for hydraulic quick coupler with piping	●
Breaker&Shear line proportional on Joystick with piping	●
Rotation line proportional on Joystick with piping	●
Flow adjustment for attachments	●
Dozer blade	●
Without dozer blade	●

### SAFETY

Battery master switch	●
Warning beacon	●
Lockable hoods	●
Handrails	●
Lockable fuel cap	●

### UNDERCARRIAGE

Steel tracks	●
Holes/loops for fixing	●

### HYDRAULIC SYSTEM

Swing brake	●
2 speed travel	●
Hydr. Pre-pressure operating joysticks	●
Piping for additional hydraulic function AUX 1	●
Piping for additional hydraulic function AUX 2	●
Mainfilter	●

# A SERVICE YOU CAN RELY ON

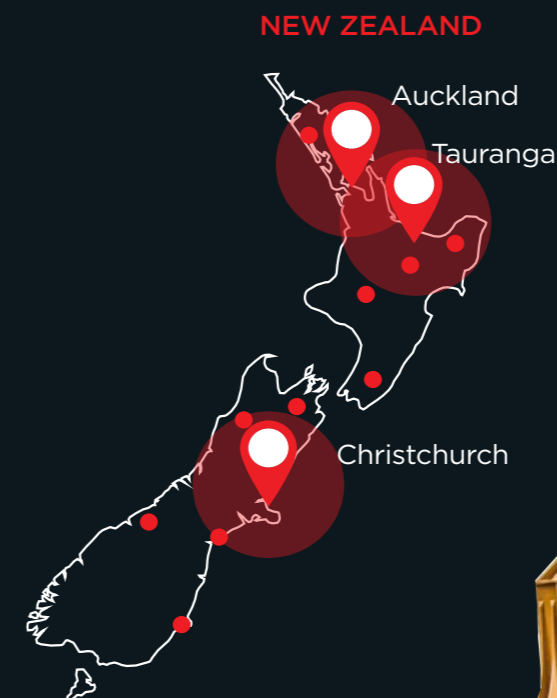
In the event of a breakdown during your warranty period, Vertu will come to your site as soon as possible to get your machine back up and running. If the repair cannot be undertaken on-site or in good time, Vertu will arrange a similar replacement while your machine is repaired under warranty.

### National Service Representation

Our national service network partnerships provide certainty that you are supported with service and parts, wherever you are located.

### Flexible, fast and always there for you

**Paid assistance, tailored advice and a reliable supply of original parts all around New Zealand. That is what we mean by premium service.**



### Parts and Inventory

As the dealer of SANY excavators, roading and construction equipment Vertu holds a significant inventory of SANY Genuine and aftermarket parts and attachments, both in New Zealand and Australia to keep you going. With direct relationships locally and internationally we can source parts quickly and as a matter of priority.

### THE VERTU DIFFERENCE

✦ Site visits to get your machine back up and running as soon as possible.

✦ Significant inventory of SANY genuine and after market parts and attachments.

✦ Expert knowledge including SANY trained technicians

✦ If a repair cannot be undertaken on-site or in good time, Vertu will arrange a similar replacement while your machine is repaired under warranty.

## Parts supply – quick and reliable

With the purchase of a SANY compact excavator you have made an investment in the future. Fast availability of spare parts is your guarantee of minimal downtimes and failure times.



## Detailed information in black and white

Handbooks and documents are available for all SANY compact excavators, and these can help you with operation, maintenance, servicing and repairs. These include operating and maintenance instructions and technical specifications.



# COMPACT PRODUCTIVITY

The SY155U short-tail-swing excavator shows what it's capable of, even in confined areas. The compact design with short slewing radius allows for powerful operation even in tight spaces. And thanks to its manoeuvrability, you can easily access areas not possible with other machines of its type.



## STABLE FOUNDATION

**HD undercarriage as standard:** You can rely on the enhanced control of the idler to guarantee a **long service life**, even with the toughest applications. The powerful ISUZU-AR-4JJ1XASC engine with **AdBlue emission control is part of this.**

## PERFORMS IN THE TIGHTEST OF SPACES

Experience **compact mobility** with this short-tail-swing machine. Perfect for working in places where space is limited, for example in inner-city areas.

## ERGONOMIC DESIGN AND ENHANCED USER EXPERIENCE

From the **air-suspension seat** to the large **storage compartments** – the driver's cab was built for comfort.

## PROTECTION FOR PEOPLE AND MACHINES

**Safety valves** are essential for safety on the construction site, not only when lifting loads but also when moving earth masses – so naturally, they are provided as **standard** with the SY155U.

## THOROUGHLY RELIABLE

Continuous sheet metal on the topside and underside of the boom and **particularly precise, robot-controlled welded seams** underpin our quality standards for the toughest requirements.

## EFFICIENCY AND POWER

**Low energy consumption levels** are a characteristic feature of the SY155U. The **smart hydraulic system** ensures the highest possible fuel efficiency, fewer exhaust emissions and **reduced wear.**

## TECHNICAL HIGHLIGHTS

Engine	ISUZU 4JJ1X
Rated power	78.5 kW / 1 900 rpm
Max. torque	375 Nm / 1 800 rpm
Max. travel speed	5.3 km/h
Swingspeed	12.5 rpm
Mainpump	2 x variable-piston-pump with electronic positive control
Max. oilflow	2 x 110 l/min



**Vertu Equipment**  
0800 837 888  
[www.vertuequipment.co.nz](http://www.vertuequipment.co.nz)  
[info@vertuequipment.co.nz](mailto:info@vertuequipment.co.nz)

**Auckland**  
510 Ellerslie Panmure Hwy,  
Mount Wellington

**Tauranga**  
23a Hewletts Ave,  
Mount Maunganui

**Christchurch**  
52 Hickory Place, Islington

